

# HP ILC

## In-Line Connector

*The In-Line Connector allows the operator to have a cable disconnect feature anywhere in the cable system. It can also be used to lengthen existing cables.*



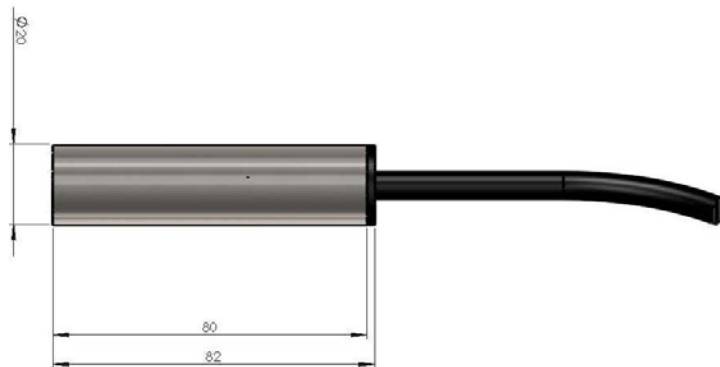
### Benefits and Advantages

- Versatile use with standard Fraser HP connectors
- Stainless steel construction with internal PTFE insulation.
- Cable length 2m unless otherwise specified. Maximum length 10m if within total load of power unit
- High voltage side totally enclosed for safer operation
- Allows the customer:
  - to extend existing cables
  - to have a cable disconnect between Power Unit and Static Eliminator
  - to repair damaged cables

### How it works:

The HP connector from the static eliminator screws into the open end of the In-Line Connector, which in turn is connected to the Power Unit.

The high voltage must be turned off when a connection or disconnection is made.



HP-ILC DS iss 1