

HP 80 Power Unit

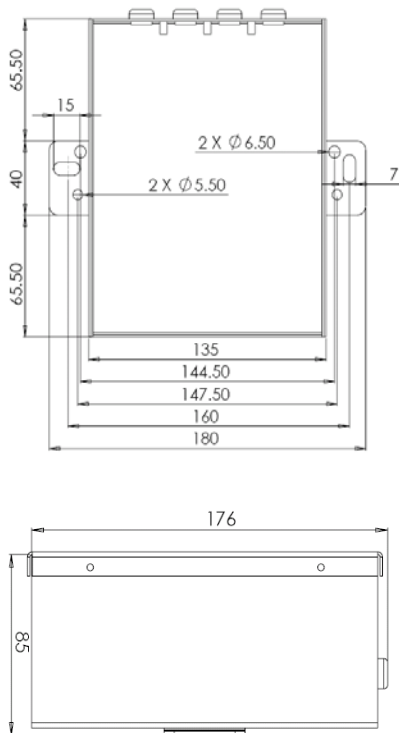
HP Power Units supply the energy to run the latest high performance static eliminators from Fraser.

They offer many advantages for the international manufacturer.



Benefits and Advantages

- The HP 80 produces high voltage, low current in a controlled and safe way to provide the power for Fraser AC High Performance static eliminators working on 8kV.
- It has bayonet connectors for fast and easy connection of the static eliminators. The HP 80 can power up to four static eliminators.
- Remote monitor options to link with customer's PLC, showing whether static eliminators are working and also if they require cleaning.
- Construction IP54 rated.



Construction:	Powder coated steel case. Transformer with fully encapsulated windings
Output:	8kV. Current limited to 5mA max
Input:	As required. Please specify voltage. Illuminated mains switch and fuse (230V: 500mA, 115V: 1A). 3m mains cable - unless otherwise specified.
Maximum Load:	10m of combined Bar and HT cable
Remote Indicator:	Options:- show status of high voltage and whether Bars need cleaning, with zero-volt signal. show status of mains voltage with zero-volt signal. - mimic LEDS on lid of case.
Safety:	The design is current limited to 5mA. If more current is drawn then the windings will shut down. Power will restart when the excessive load or fault is removed.

HP80 DS iss 2