

9055-2 110V or 230V Power Unit

The 9055-2 Power Unit has a compact design and is suitable for powering up to two static eliminators. It supplies the high voltage which produces the ionisation in Fraser Bars, Blowers, Guns etc.

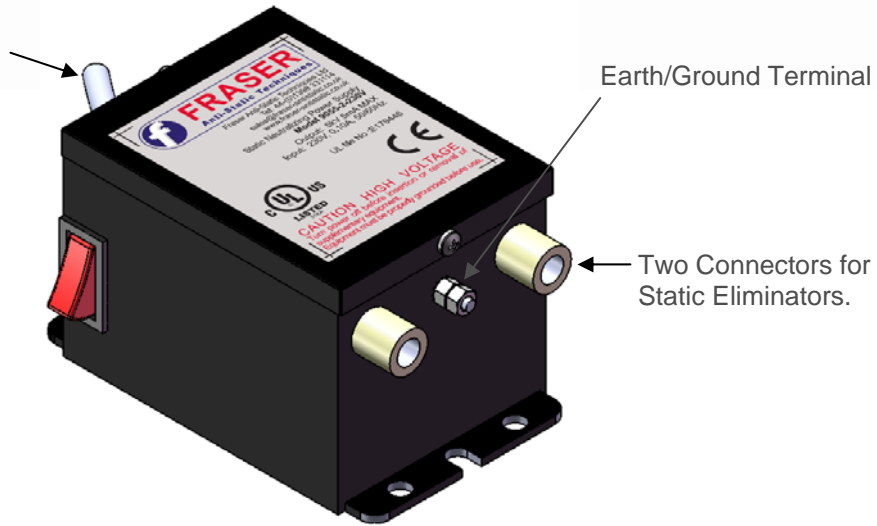


Benefits and Advantages

- Compact size
- UL Listed, CE Compliant for worldwide use.
- The 9055-2 110V and the 9055-2 230V UL produce high voltage, low current in a controlled and safe way to provide the power for Fraser AC static eliminators.
- They have external connections for up to two static eliminators. The standard bayonet high connections are simple and fast to use.
- Can be used with 50Hz and 60Hz, which is especially useful for machinery manufacturers exporting worldwide.

Construction:	Powder coated steel case. Shunt core transformer with totally encapsulated windings.
Dimensions:	89mm x 128mm x 82mm
Output:	5.5kV. Max 5mA.
Input:	230V, 50/60Hz or 110V 50/60Hz Current: 0.1A. Current: 0.2A Can work with 50Hz or 60Hz unlike many competitive products. Illuminated mains switch. 2.2m mains cable.
Maximum Load:	1250 Bar and derivatives: 12m of combined Bar and HT cable. 4100 Ionised Airgun: 1 Gun with 10m HT cable or 2 Guns each with 5m HT cable.
Safety:	The design is current limited to 5mA. If more current is drawn then the windings will shut down. Power will restart when the excessive load or fault is removed.
Positioning:	The location should be dry and oil-free. Max Temperature 50°C.

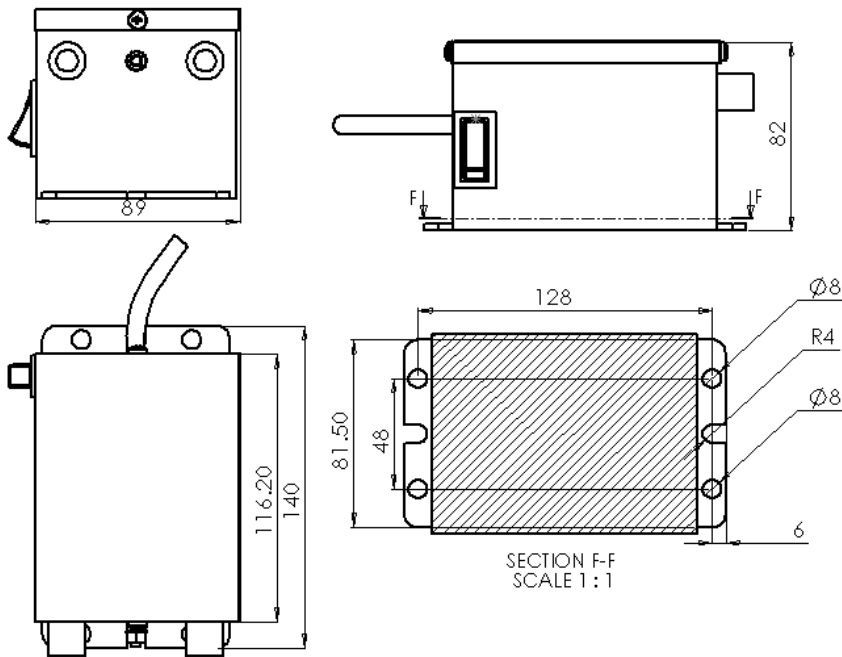
Mains cable 2.2m long.



Earth/Ground Terminal

Two Connectors for Static Eliminators.

Compact Size - see below for dimensions.



SECTION F-F
SCALE 1:1